

Operating manual

YA-05E Operating table



Introduction

About this operating manual

This operating manual includes introduction about the symbols and safety instructions. You can see the description , instruction and maintenance about our product in the followed pages. And some technical data and information about the product.

In case of any question ,we therefore kindly ask you to contact after-sales service personnel or distributor.

This operating manual is to be read and observed by any person using or handle this operating table.

In addition to some accident, we obtest users to be familiar with the usage and the points of attention.

Description

Use and brief introduction

The product belongs to class I, type B. Non AP or APG device, continuous device. And possesses application part.

Engineered for increasingly complex surgical scenes, YA-05E(YA-GTE500) NEW comes with intelligent automatic control system satisfying various demands of general surgeries.

- Longitudinal slide up to 350 mm for free access to C-arm.
- Extreme weight load capacity of 250 kg with highest safety and stability.
- Memory pad with antistatic, waterproof design.
- Standard override panel control makes the control safer.

The operating table is widely used, easy to operate and adjust with reliable performance, which is a ideal table for different hospital.

General content

Basic data

The technical data should look at Form 1

Form 1: basic data				unit:mm
basic data Model	length L	Width B	lowest height of tabletop h min	Distance of elevation S
YA-05E (YA-GTE500)	≥2100mm	550mm	≤700mm	300mm

Gross weight、 net weight、 volume

Gross weight:270kg, net weight:220kg, Volume (long×width×height)
1360mm×860mm×880mm.

Safe working load of YA-05E(YA-GTE500)

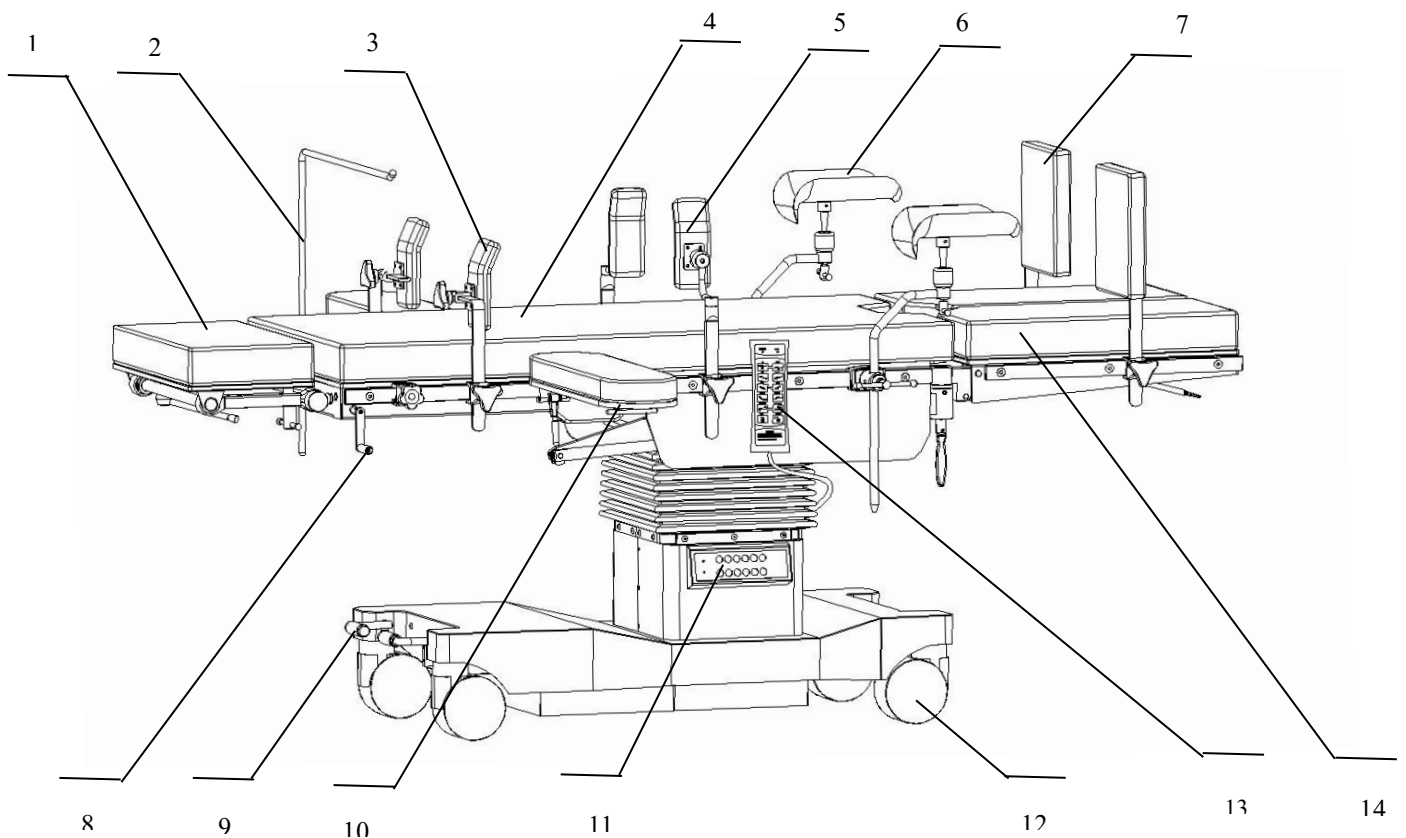
The safe working load of the table is 250kg

Product information and feature

Product information

The operating is formed by head plate and back plate, waist plate, buttocks plate and leg plate

Please look at the Picture 2



1-Head Plate; 2-Anesthetic Screen; 3-Shoulder support; 4-Back Plate; 5-Body support ;6-Leg support; 7-Foot Plate; 8-Kidney Bridge Handle; 9-Castor brake; 10-Arm Board; 11- Optional Control Panel; 12-castors; 13-Hand Remote; 14- Leg Plate;

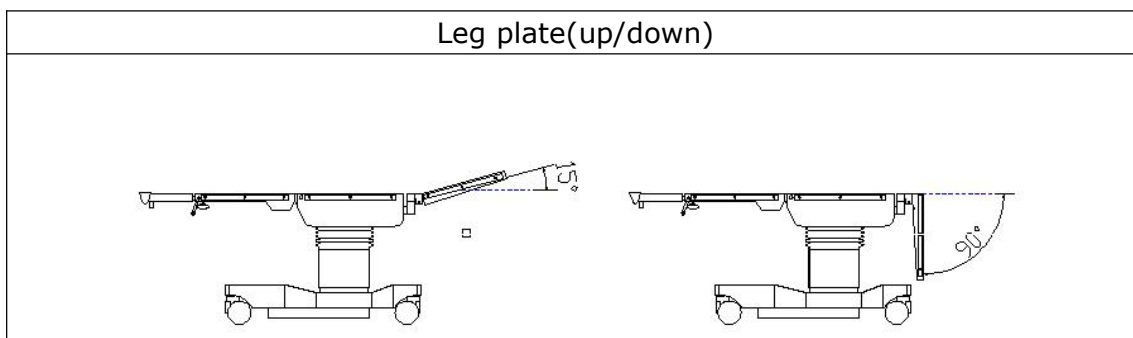
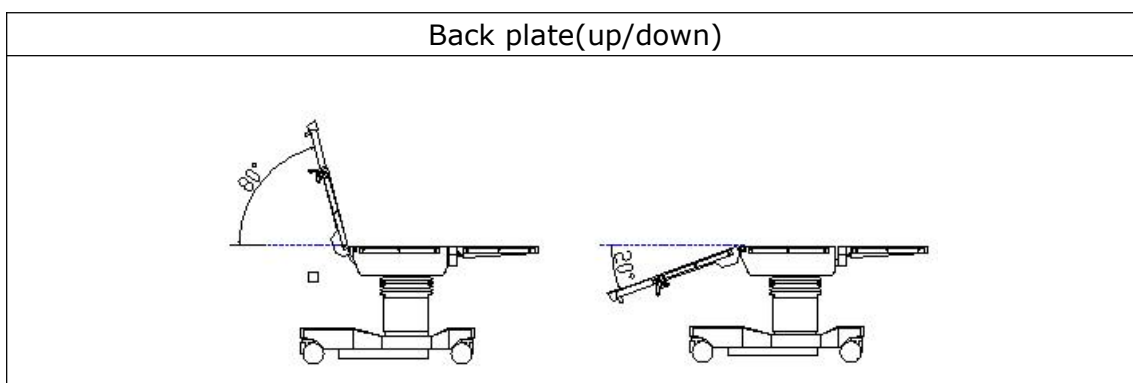
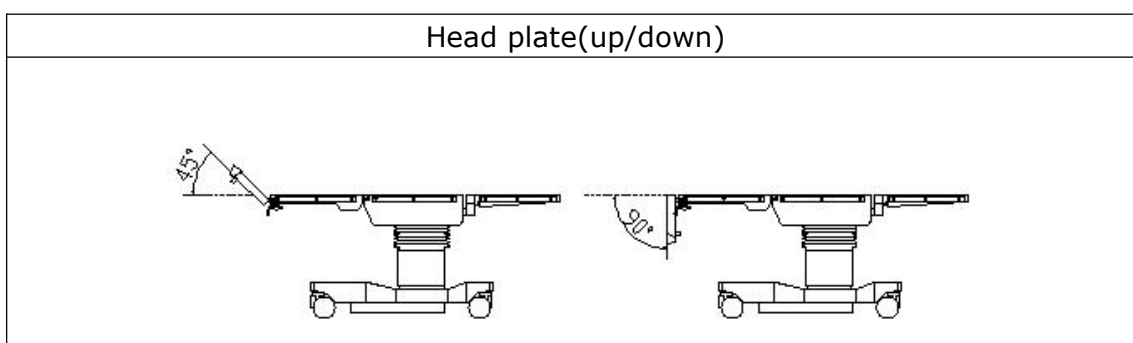
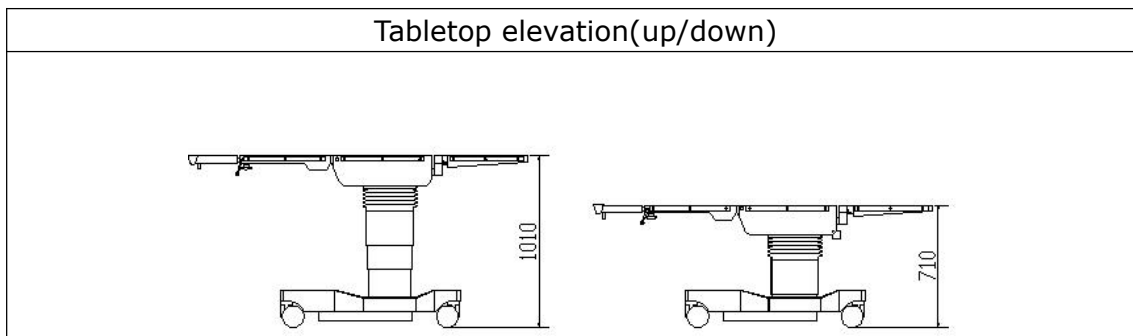
Picture 2 Diagram of structure ET500T Electric operating table

Feature

- You can adjust the height of the table as you wish (look at picture 2) , convenient for doctors.
- you can take the cushion apart from the table for clean up.

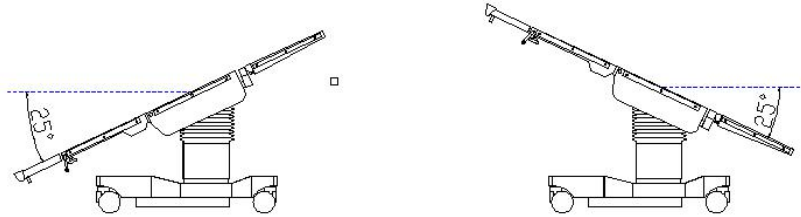
Movements diagram of YA-05E(YA-GTE500)

Movements diagram of YA-05E(YA-GTE500)

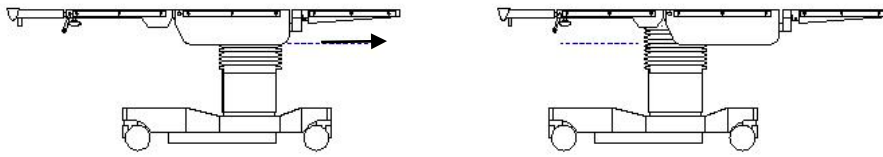


Movements diagram of YA-05E(YA-GTE500)

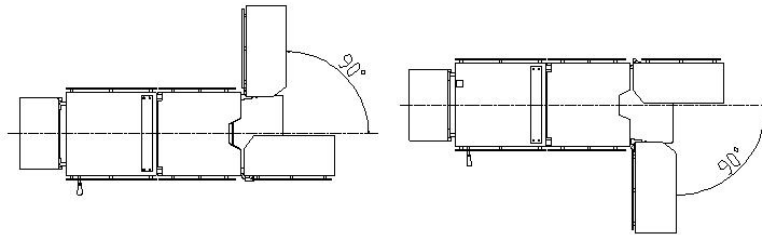
Trendelenburg/Anti-trendelenburg



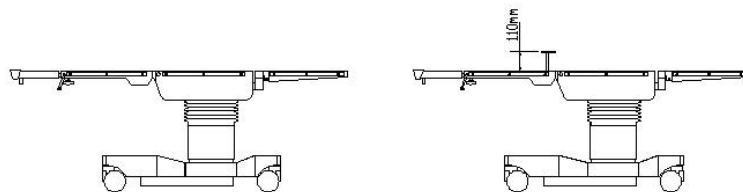
Horizontal sliding 350mm



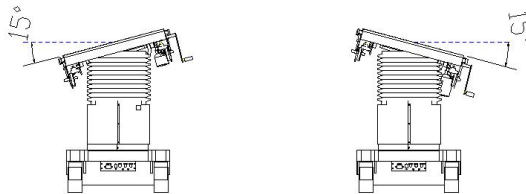
Leg plate outward



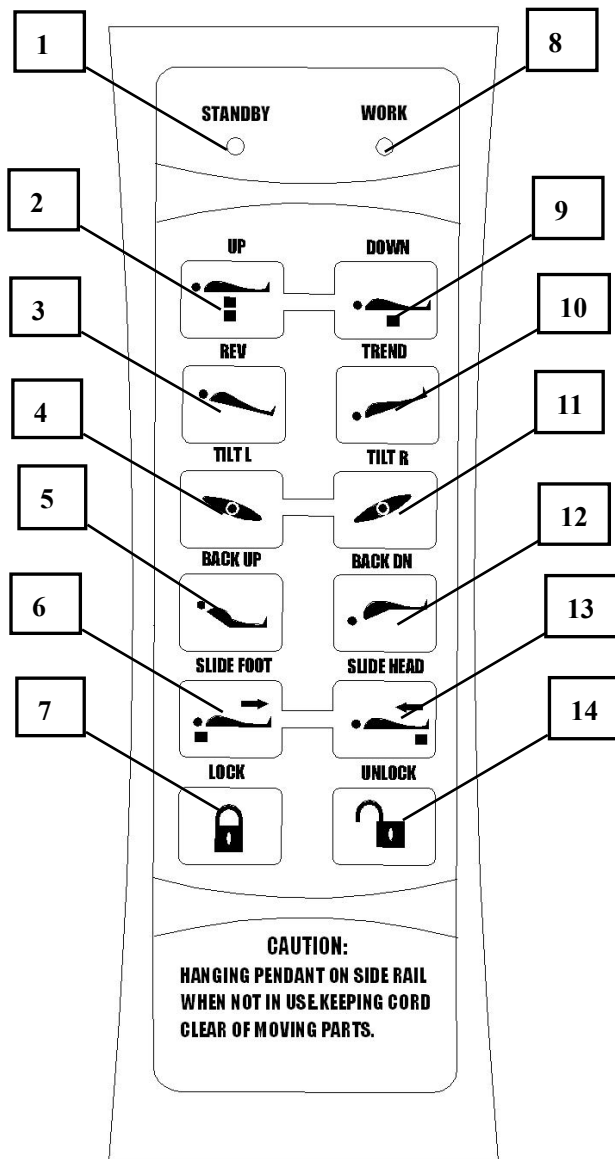
Kidney bridge(up/down)



Lateral tilt(left/right)



Function of telecontroller



1 STAND BY

Operating table is in the ready mode.
Green LED on.

2 UP

Raise the table top.

3 REVERSE

Reverse trendelenburg (Foot down).

4 TILT L

Tilt to the left.

5 BACK UP

Raise the back plate.

6 SLIDE FOOT

Move in the direction of the foot plate.

7 BRAKE LOCK

Can't move the operating table.

8 WORK

Operating table is in the work mode.
White LED on.

9 DOWN

Lowers the table top.

10 TREND

Trendelenburg(Head down).

11 TILT R

Tilt to the right.

12 BACK DOWN

Lowers the back plate.

13 SLIDE HEAD

Move in the direction of the head plate.

14 BRAKE UNLOCK

Can move the operating table.



Danger!

Do not press two buttons at the same time!

Main technical data

Form 3: Main technical data

Item		Basic Data
Trendelenburg	forward	≥25°
	backward	≥25°
Lateral tilt	Left	≥15°
	Right	≥15°
Head plate	Up	≥40°
	down	≥90°
	Flexible	≥40°
Back plate	Up	≥80°
	Down	≥20°
Leg plate	Up	≥15°
	Down	≥90°
	Out	≥90°
Kidney bridge		110mm
Horizontal sliding		≥350mm

Input power:650VA

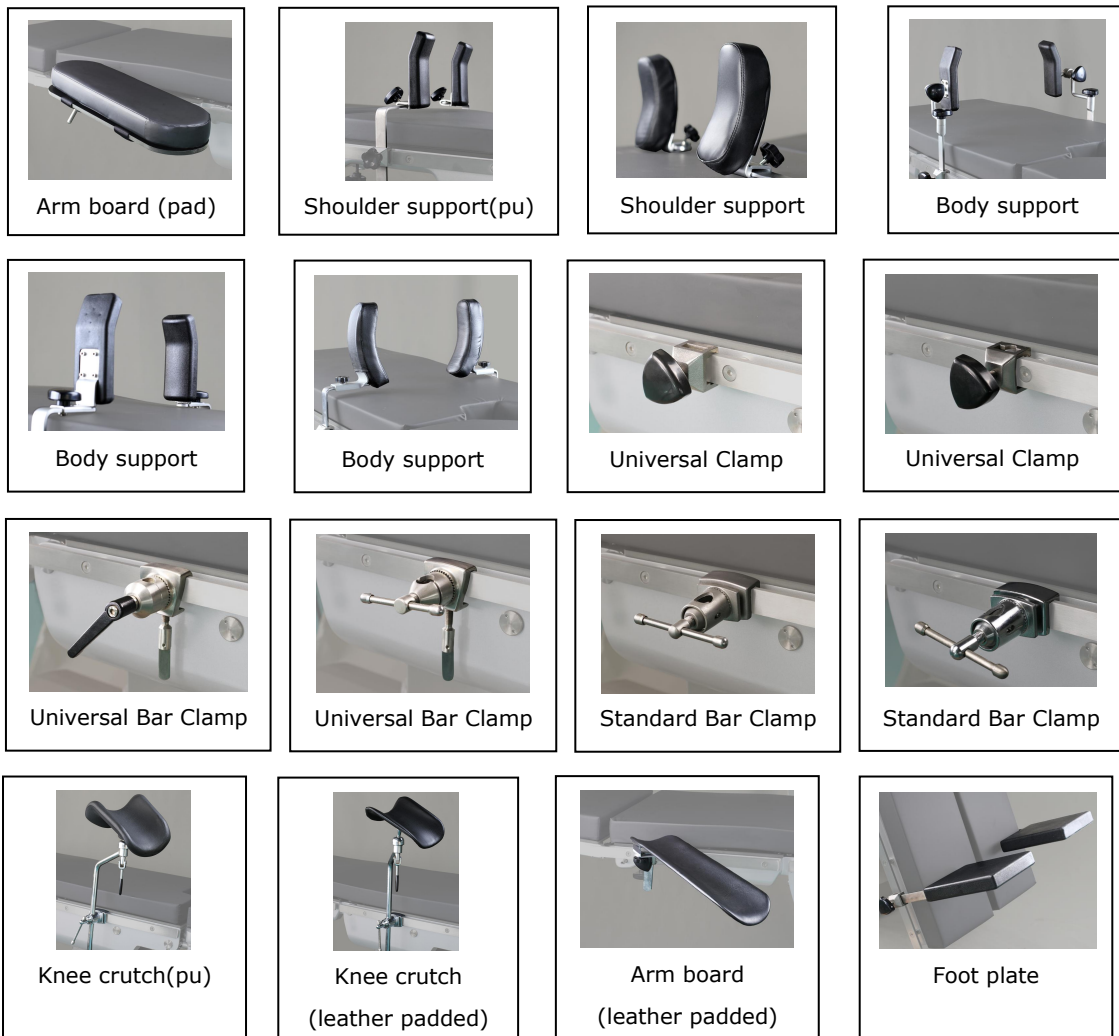
Product model	Accessories name and size				
ET500T	Anesthesia screen (diameter×length×width)	Shoulder support (length×width×thickness)	Arm support (length×width×thickness)	Body support (length×width×thickness)	Leg support (diameter×length)
Size	Φ12×600×526	185×185×6	550×155×9.5	138×126×6	Φ16×350

Packing list

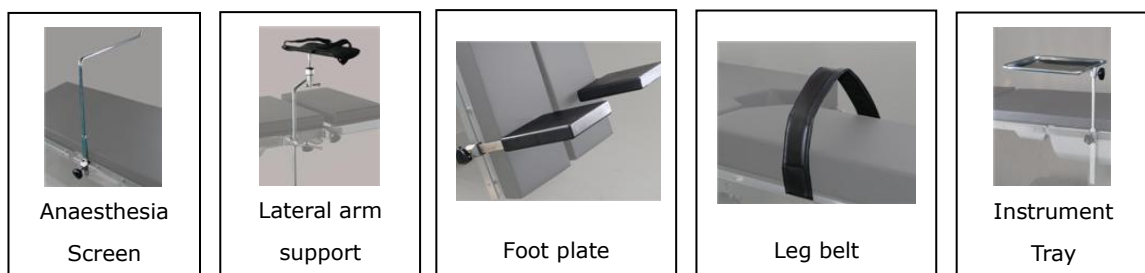
Form 4 packing list

NO.	Item	quantity	NO.	Item	Quantity
1	Anaesthesia screen	1 piece	9	Foot plate	2 pieces
2	Shoulder support	2 pieces	10	Long Fixing clamp	2 pieces
3	Body support	2 pieces	11	Fixing clamp	7 pieces
4	Arm board	2 pieces	12	Hand Remote	1 piece
5	Leg support	2 pieces	13	Power line	1 piece
6	Head plate	1 piece	14	oilcan (with oil)	1 piece
7	leg plate	2 pieces	15	User Manual	1 piece
8	Mattress	1 Set	16		

Appendix I : Universal Accessories



Appendix II : Optional Accessories



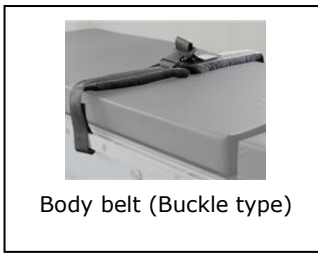
Appendix II : Optional Accessories



Instrument Tray



Spine surgery support



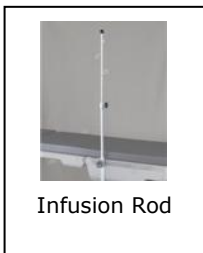
Body belt (Buckle type)



Body Belt



Arm Belt (Buckle type)



Infusion Rod



Arm belt



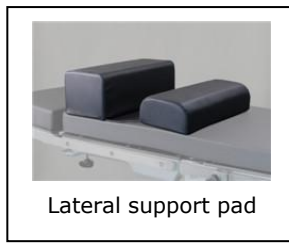
Stomach Support



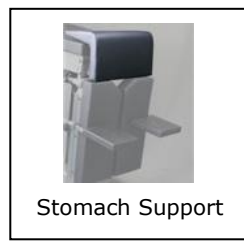
Knee support



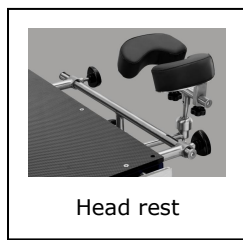
Prostrate Support Pad



Lateral support pad



Stomach Support



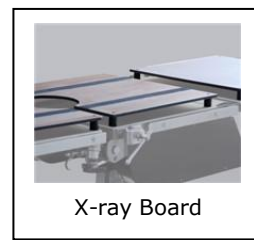
Head rest



Head ring



External kidney bridge



X-ray Board



Skull Clamp



Skull clamp 1004



Orthopedic Traction 1005



Orthopedic Traction 1006



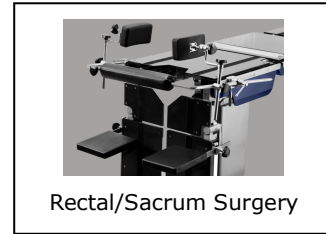
Carbon fiber orthopedic



Pubis/sternum Support

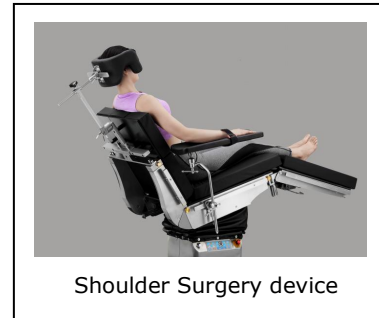
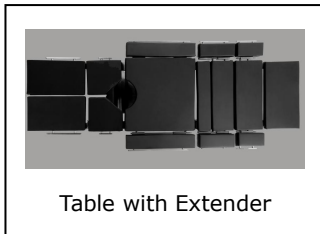
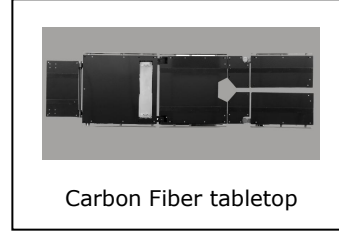
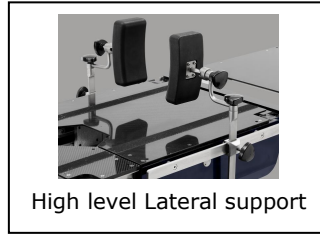


Base unit and head rest



Rectal/Sacrum Surgery

YA-05E(YA-GTE500) with all standard accessories



YA-05E(YA-GTE500) with all standard accessories



Picture 3 : YA-05E(YA-GTE500)with all standard accessories