

Description

Use and brief introduction

The product belongs to class I, type B. Non AP or APG device, IPX4 device, continuous device. And possesses application part.

Engineered for increasingly complex surgical scenes, YA-07EH comes with intelligent automatic control system satisfying various demands of general surgeries.

Be sure to read the instruction carefully before using, and keep it.

General content

● Basic data

The technical data should look at Form 1

Form 1: basic data unit:mm

Basic data	length	Width	Height range	Distance of elevation
Model	L	B	h min	S
YA-07EH	≥2170mm	550mm	≤690mm	≥410mm

● Gross weight、net weight、 volume

Gross weight:320kg, net weight:370kg, Volume (long×width×height) 1280mm×730mm×1088mm.

● Safe work loading capacity of YA-07EH

The safe working load of the table is 300kg.

● Standard table configuration includes

NO.	Item	quantity	NO.	Item	Quantity
1	Anaesthesia screen	1 piece	9	Foot plate	2 pieces
2	Shoulder support	2 pieces	10	Long Fixing clamp	2 pieces
3	Body support	2 pieces	11	Fixing clamp	7 pieces
4	Arm board	2 pieces	12	Hand Remote	1 piece
5	Leg support	2 pieces	13	Power line	1 piece
6	Head plate	1 piece	14	oilcan (with oil)	1 piece
7	leg plate	2 pieces	15	User Manual	1 piece
8	Mattress	1 Set			

Commissioning

● keeping

Inside its original packing the operating table may be exposed for a period of 15 weeks to environmental conditions within the limits of :

Ambient temperature	-30℃~55℃
atmospheric humidify	≤95%
Atmospheric pressure	500 hPa~1060 hPa

- ❖ The table should be kept in a clean place, never put in the places where influenced by atmospheric pressure, temperature, humidity, aeration, sunshine, or dust and sulfur.
- ❖ The table should be kept separately from chemicals.
- ❖ stock in a ventilated place.

● Transportation

Upon leaving the factory, the operating table are positioned fit for transportation. In case of further transportation at a later date, we recommend to adjust the operating table into the same position.

- ❖ In order to transport the operating table, adjust seat and back section in to horizontal position.
- ❖ Remove the head and leg plates, and detach other accessories.
- ❖ Adjust the table-top into minimum height.

● Attention before using

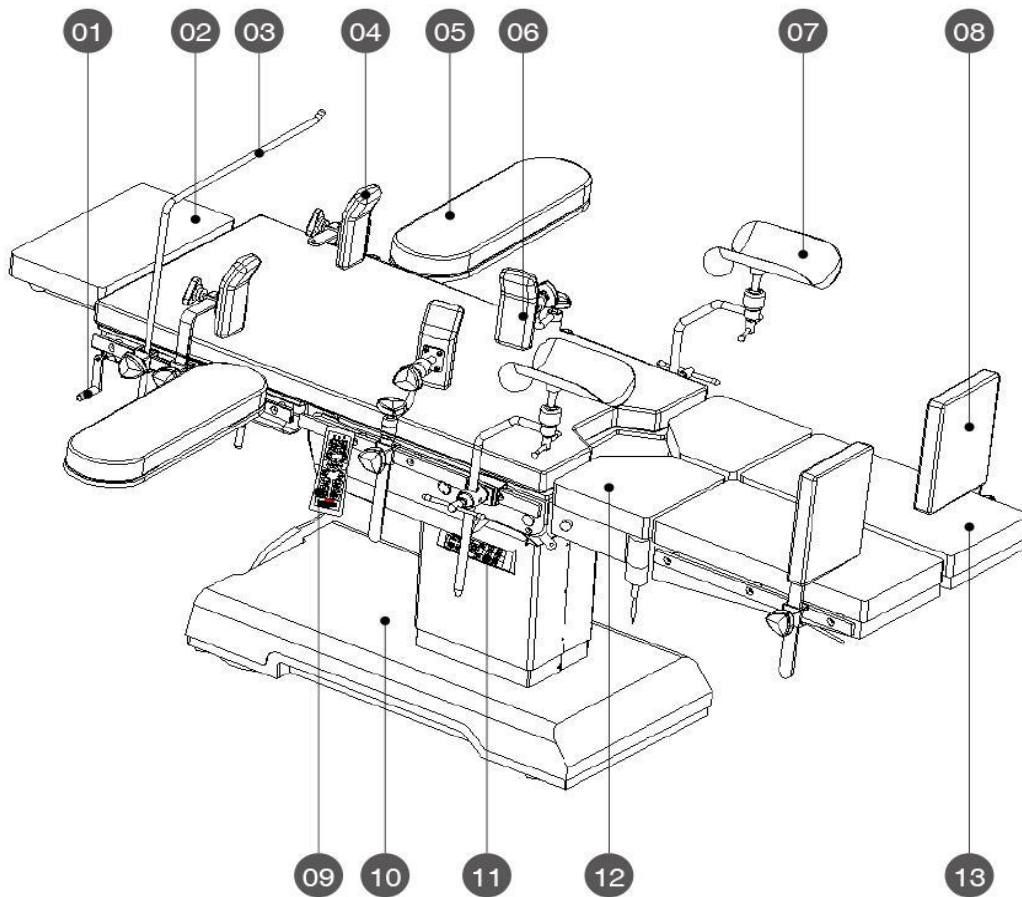
- ❖ please read the instruction before using, people who doesn't know the operating method is forbidden to use.
- ❖ Please Check the switch, and be sure they can work.
- ❖ Please confirm all the power line are connected right and safely.
- ❖ When it work with high frequency surgical equipment, the equipment should comply with GB9706.1.

● Using adjust

- ❖ Adjustment of leg plate
The electric leg plate part is controlled by the hand remote. The leg plate is gas spring control. Press down the gas spring, then move the leg plate to the position you need.

- ❖ Fixing of accessories

There is rail on the both side of the table, you can use the fixing clamp the set up all the accessories.



Product information

The operating is formed by head plate and back plate, waist plate, buttocks plate and leg plate

1-Kidney bridge handle

2-Head plate;

3-Anesthesia screen;

4-Shoulder support

5-Arm board

6-Body support

7-Leg support

8-Foot plate

9-Hand remote;

10-Base

11-optional control panel

12-Leg support;

13-Leg plate;

Features

- **Motorized tabletop** is constructed of five-sections (including the motorized fully radiolucent Kidney bridge) and is 1960mm long. Unobstructed imaging length and 100% C-Arm access without table movement is available. The radiolucent tabletop sections enable viewing of the entire anatomy.
- **Column** supports tabletop and includes lift cylinder, bearings, hydraulic piping, hydraulic actuators for Trendelenburg, electrical wiring and master computer. These components are enclosed by three telescoping plastic or optional stainless-steel column shrouds. The shrouds are of two-piece construction for service accessibility.
- **Base** structure is stainless steel. Four swivel casters, located inside the base cover, facilitate table movement.
- **Auxiliary Control System** (optional) is located on the elevation column.
- **Universal Hand Control** is ergonomically designed, and is the primary interface for table operation. It is constructed of one piece thermoformed plastic that holds and seals the illuminated keypad.



Universal Hand Control

Hand Control Touch Pads for:

- SLIDE HEAD/FOOT
- HEIGHT UP/DN
- BACK UP/DN
- LEG UP/DN
- TREND/REVERSE TREND
- TILT LEFT/RIGHT
- FLEX/REFLEX
- KIDNEY UP/DN
- LEVEL
- FLOOR LOCK (Lock / Unlock)
- BREAK LOCK (Lock/Unlock)
- STOP

TABLE OPERATION

Press the desired position touch pad on the pendant hand control or use the optional foot control to articulate the tabletop (refer to Operator Manual).

The following pre-operative actions must be completed before the table can be used

- No objects exist that affect the operations;
- Confirm if all the power lines are connected well, the switch is in “0” condition;
- Move the table to the right place you need;
- Connect the Hand remote with the table;
- Please check the power supply before turning it on;
- Lock the base of the table;
- Fix up the head plate, leg plate and accessories according to the picture.
- The table adopts short-time work, attention: never press one button over 2min.

TABLE MOTION

Ranges of table motion are as follows and are illustrated on the other page

- **Height** 27.6” to 44”(690-1100mm)
- **Trendelenburg Range** 30°
- **Reverse Trendelenburg Range** 30°

- **Lateral tilt (left/right)** 20°
- **Slide Motion** 350mm
- **Back Section Motion** UP: 85° ; DOWN: 40°
- **Leg Section Motion** UP: 15° ; DOWN: 90° ;Out 90°
- **Kidney Elevator Mechanism** 4.4"(110 mm)
- **Head Section Motion (Manual)** UP: 45° ; DOWN: 90°
- **Loading Capacity** 250kg

Society of Automotive Engineers (SAE) Measurements are based on the metric dimensions; and are therefore approximate.

UTILITY REQUIREMENTS

Power Source:Battery/Electric-Powered Table

Line Power Input:

100/120/220/230-240 V ac (Jumper Selectable),

1 Ø, 50/60 Hz, 4 Amp

Environmental Conditions:

Temperature: 32-122°F (0-50°C)

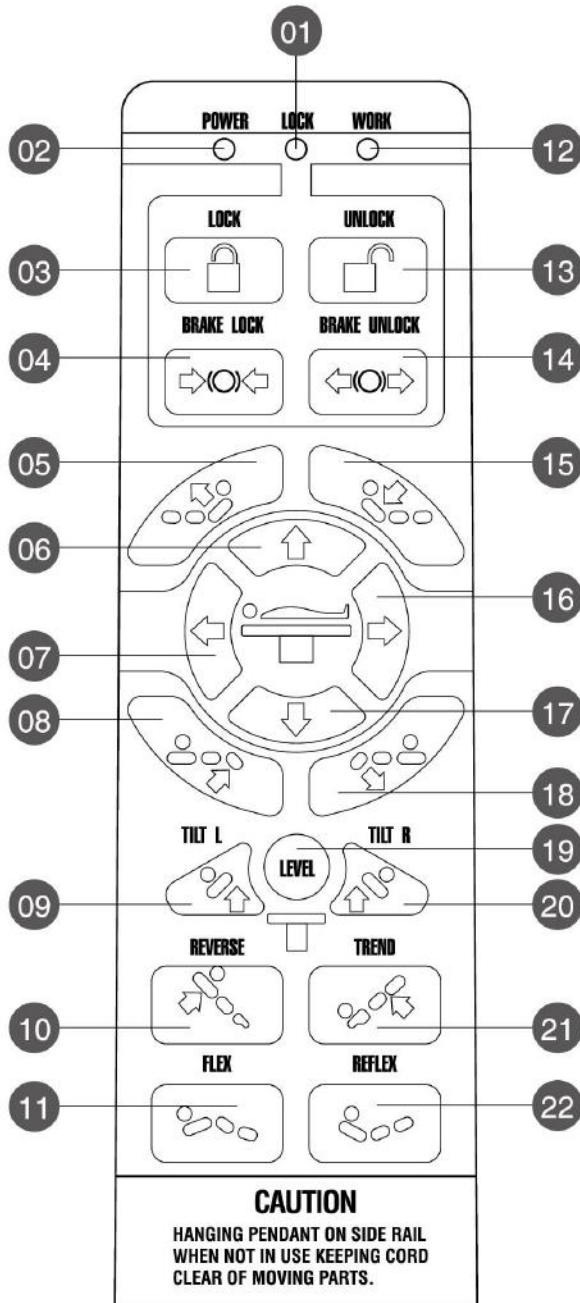
Relative Humidity (RH): 20-80%

**CUSTOMER IS RESPONSIBLE FOR COMPLIANCE WITH
APPLICABLE LOCAL AND NATIONAL CODES AND
REGULATIONS.**



**WARNING – EXPLOSION HAZARD:
Table must not be used in the presence of
flammable anesthetics.**

Function of Hand remote



1 LOCK

The hand remote is lock,you can not use hand remote when the light on.

2 POWER

The power is on.

3 LOCK

The hand remote is lock,you can not use hand remote when the light on.

4 BRAKE LOCK

Can' t move the operating table.

5 BACK UP

Raise the back plate.

6 UP

Raise the table top.

7 SLIDE HEAD

Move in the direction of the head plate.

8 LEG UP

Raise the electric leg plate part.

9 TILT

Tilt to the left.

10 REVERSE

Reverse trendelenburg (head down).

11 FLEX

One button to flex position.

12 WORK

Operating table is in the work mode.

13 UNLOCK

Unlock the hand remote,the operating table in the work mode.

14 BRAKE UNLOCK

The operating table can move now.

15 BACK DOWN

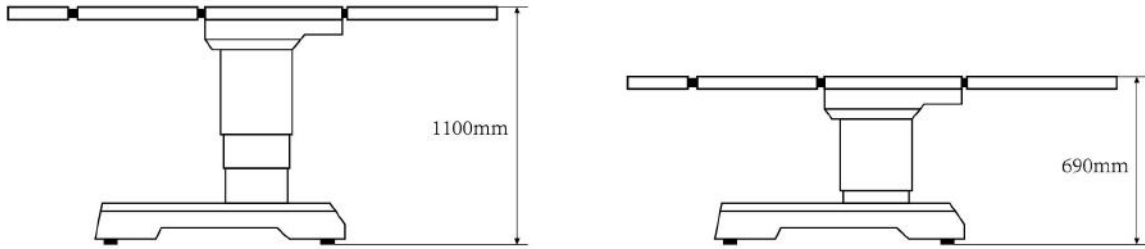
Lowers the back plate.

16 SLIDE FOOT

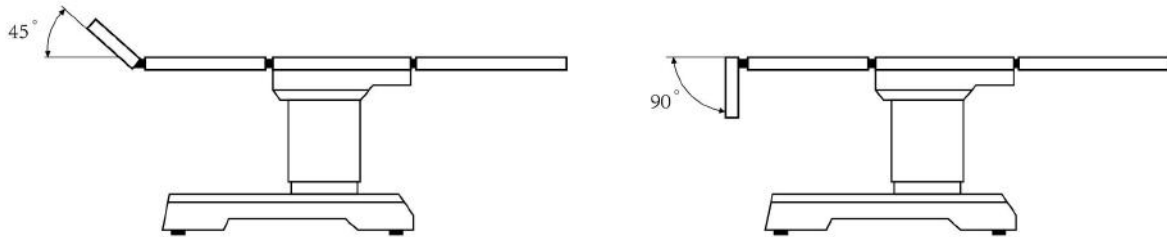
Move in the direction of the foot plate.

Movements diagram

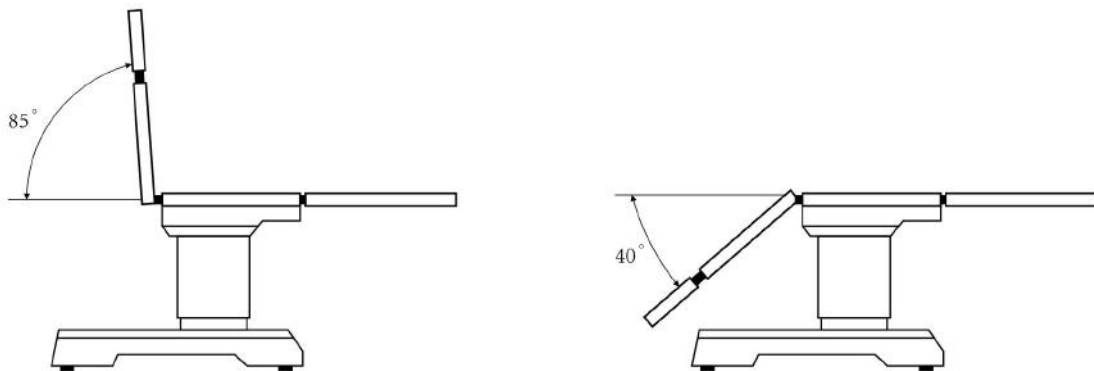
Tabletop elevation(up/down)



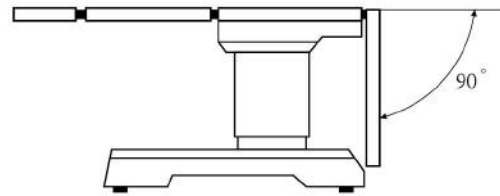
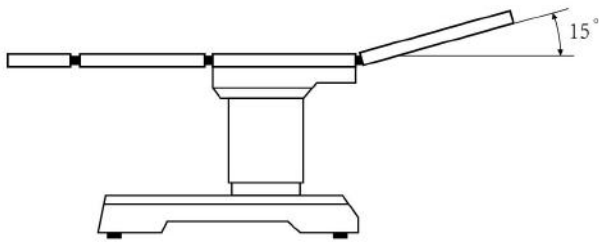
Head plate(up/down)



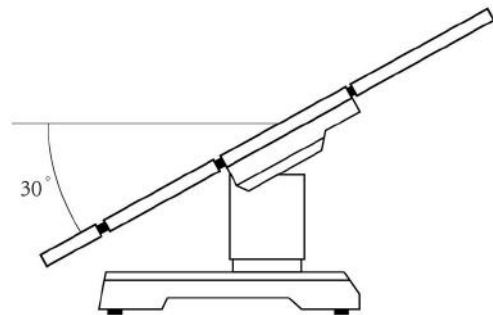
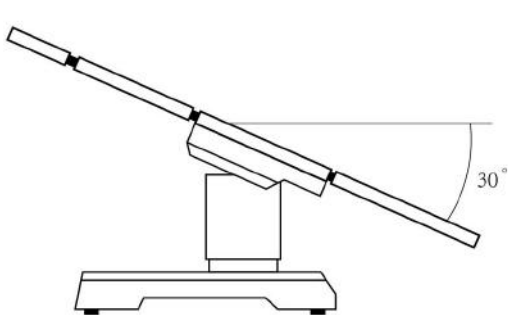
Back plate(up/down)



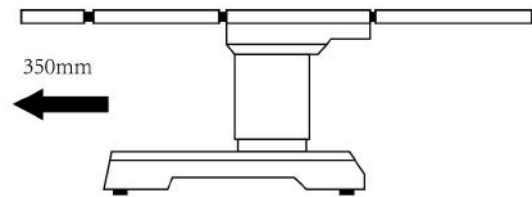
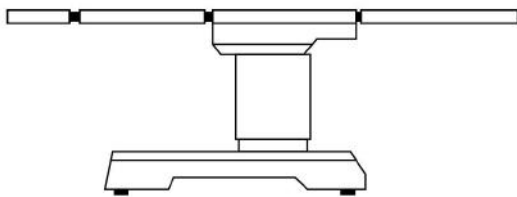
Leg plate(up/down)



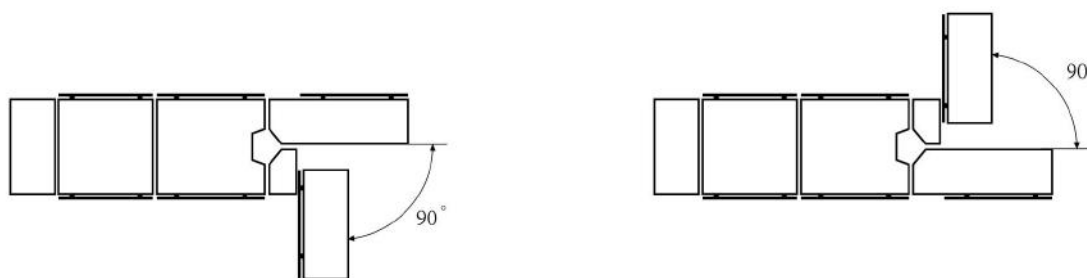
Trendelenburg/Anti-trendelenburg



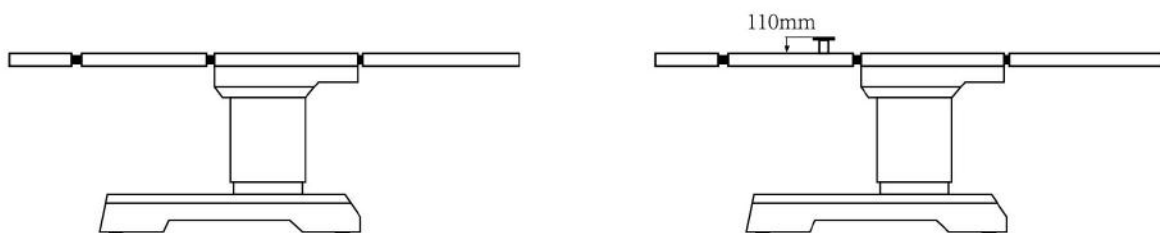
Horizontal sliding



Leg plate outward



Kidney bridge(up/down)



Lateral tilt(left/right)



FOR FURTHER INFORMATION CONTACT
www.medikmedical.com | info@medikmedical.com

medik
+86 139 6223 1292